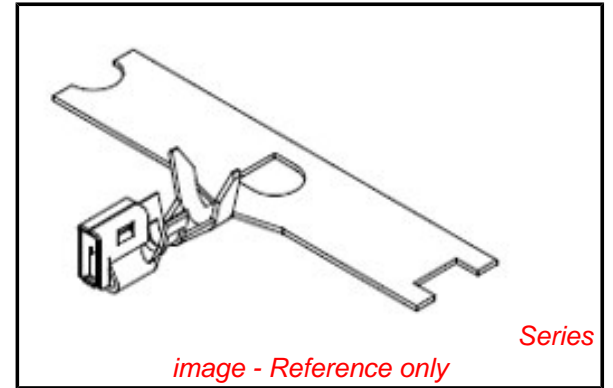


PLEASE CHECK WWW.MOLEX.COM FOR LATEST PART INFORMATION

Part Number: **0502128000**
Status: **Active**
Overview: microlatch
Description: 2.00mm (.079") Pitch Crimp Terminal, Female, 24-30 AWG, Reel

Documents:

3D Model	Product Specification PS-51090-018 (PDF)
Drawing (PDF)	Product Specification PS-51160-001 (PDF)
Product Specification PS-35507-002 (PDF)	Product Specification PS-51160-006 (PDF)
Product Specification PS-51065-005 (PDF)	Product Specification PS-51225-003 (PDF)
Product Specification PS-51065-016 (PDF)	Product Specification PS-52968-006 (PDF)
Product Specification PS-51065-017 (PDF)	Product Specification PS-52968-007 (PDF)
Product Specification PS-51065-018 (PDF)	Product Specification PS-53358-001 (PDF)
Product Specification PS-51089-001 (PDF)	Product Specification PS-53717-002 (PDF)
Product Specification PS-51089-005 (PDF)	Product Specification PS-54111-001 (PDF)
Product Specification PS-51090-003 (PDF)	Product Specification PS-54111-002 (PDF)
Product Specification PS-51090-004 (PDF)	Product Specification PS-54214-001 (PDF)
Product Specification PS-51090-005 (PDF)	Product Specification PS-54452-006 (PDF)
Product Specification PS-51090-007 (PDF)	Product Specification PS-54452-007 (PDF)
Product Specification PS-51090-009 (PDF)	Product Specification PS-55533-003 (PDF)
Product Specification PS-51090-016 (PDF)	Product Specification PS-55533-004 (PDF)
Product Specification PS-51090-017 (PDF)	RoHS Certificate of Compliance (PDF)



General

Product Family	Crimp Terminals
Series	<u>50212</u>
Crimp Quality Equipment	Yes
Overview	<u>microlatch</u>
Product Name	Mi II™, Micro-Latch™, Sherlock™

Physical

Gender	Female
Material - Metal	Phosphor Bronze
Material - Plating Mating	Tin
Material - Plating Termination	Tin
Packaging Type	Reel
Termination Interface: Style	Crimp or Compression
Wire Insulation Diameter	1.40mm (.055") max.
Wire Size AWG	24, 26, 28, 30
Wire Size mm²	N/A

Electrical

Current - Maximum per Contact	2A
Voltage - Maximum	125V

Material Info

Reference - Drawing Numbers

Packaging Specification	SPK-50212-001
Product Specification	PS-35507-002, PS-51065-005, PS-51065-016, PS-51065-017, PS-51065-018, PS-51089-001, PS-51089-005, PS-51090-003, PS-51090-004, PS-51090-005, PS-51090-007, PS-51090-009, PS-51090-016, PS-51090-017, PS-51090-018, PS-51160-001, PS-51160-006, PS-51225-003, PS-52968-006, PS-52968-007, PS-53358-001, PS-53717-002, PS-54111-001, PS-54111-002,

EU RoHS

ELV and RoHS Compliant
REACH SVHC Contains SVHC: No
Halogen-Free Status

China RoHS



Need more information on product environmental compliance?

Email productcompliance@molex.com
 For a multiple part number RoHS Certificate of Compliance, [click here](#)

Please visit the [Contact Us](#) section for any non-product compliance questions.

Search Parts in this Series

[50212Series](#)

Use With

[51090](#) , [51089](#) Mi II™ Housing . [51065](#) Micro-Latch™ Housing

Application Tooling | FAQ

Tooling specifications and manuals are found by selecting the products below. Crimp Height Specifications are then contained in the Application Tooling Specification document.

Global

Description	Product #
Hand Crimp Tool for 2.00mm (.079") Pitch Terminal, 24-30 AWG	0638190500
FineAdjust™ Applicator for 2.00mm (.079") Pitch Wire-to-Board Crimp	0639005200

PS-54214-001, PS-54452-006, PS-54452-007,
 PS-55533-003, PS-55533-004, RPS-35507-003,
 RPS-35507-004, RPS-35507-005, RPS-35507-006,
 RPS-35507-008, RPS-35507-009, RPS-35507-010,
 RPS-35507-011, RPS-502079-002, RPS-502079-003,
 RPS-502079-004, RPS-502079-005, RPS-502079-006,
 RPS-502079-007, RPS-50212-002, RPS-51065-001,
 RPS-51065-002, RPS-51065-006, RPS-51065-007,
 RPS-51065-010, RPS-51065-011, RPS-51065-012,
 RPS-51065-013, RPS-51065-014, RPS-51065-015,
 RPS-51065-018, RPS-51065-019, RPS-51065-020,
 RPS-51065-021, RPS-51065-022, RPS-51065-023,
 RPS-51065-024, RPS-51065-025, RPS-51065-026,
 RPS-51065-027, RPS-51065-028, RPS-51065-030,
 RPS-51089-002, RPS-51089-003, RPS-51089-004,
 RPS-51089-005, RPS-51090-002, RPS-51090-005,
 RPS-51090-006, RPS-51090-008, RPS-51090-010,
 RPS-51090-012, RPS-51090-013, RPS-51090-014,
 RPS-51090-015, RPS-51090-017, RPS-51090-018,
 RPS-51090-021, RPS-51090-022, RPS-51090-026,
 RPS-51160-003, RPS-51160-004, RPS-51160-005,
 RPS-51339-004, RPS-51339-007, RPS-52484-002,
 RPS-52968-005, RPS-52968-012, RPS-52968-013,
 RPS-52969-004, RPS-52969-005, RPS-52969-006,
 RPS-53324-001, RPS-53358-001, RPS-54111-001,
 RPS-54111-002, RPS-54111-004, RPS-54111-005,
 RPS-54269-004, RPS-54452-011, RPS-55460-011,
 RPS-87369-001
 SD-50212-001

Sales Drawing

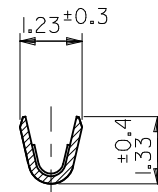
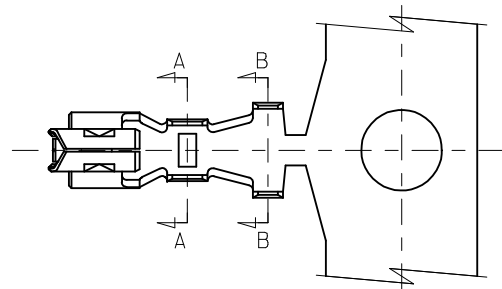
Terminals 24-30 AWG	
T2 Terminator Die	<u>0639105200</u>
Extraction Tool	<u>0011030043</u>
Japan	
Description	Product #
Extraction Tool	<u>0571056000</u>
Applicator for M211A Bench Press, 22-30 AWG, for 50212 and 50372 Crimp Terminal	<u>0571753000</u>
Side-Feed Applicator For Full-Auto Machine	<u>0571753200</u>

This document was generated on 05/19/2010

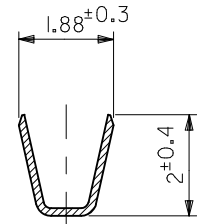
PLEASE CHECK WWW.MOLEX.COM FOR LATEST PART INFORMATION

注記

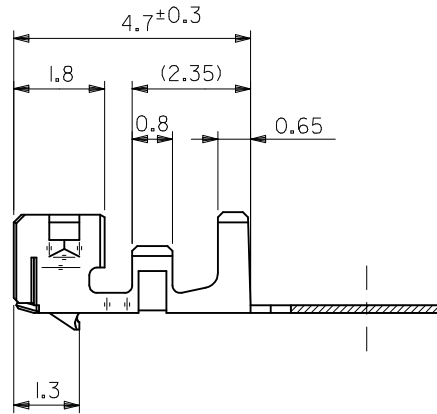
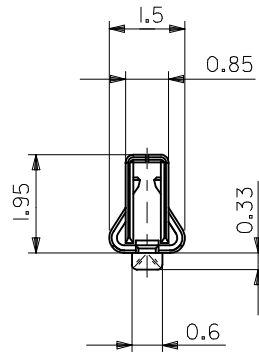
- 適用ハウジング: 51065-***00
 APPLICABLE HOUSING 51089-***05
 51090-***00
- 材質: MATERIAL
 リン青銅
 PHOSPHOR BRONZE
 錫メッキ
 PRE-TINNED
 $t=0.152$



SECT. A-A



SECT. B-B



50212-8100	バラ状
50212-8000	連鎖状
MATERIAL NO.	端子形状

適用電線範囲 WIRE RANGE	AWG #24~#30
被覆外径 INS.RANGE	φ1.4MAX.

REVISED EC NO: J2009-2125 DRWN: CARIZONO 2009/03/25 CHKD: T. HARUYAMA 2009/04/07 APPR: NUKITA 2009/04/08	GENERAL TOLERANCES (UNLESS SPECIFIED)		DIMENSION STYLE MM ONLY	SCALE 10:1	DESIGN UNITS METRIC	THIRD ANGLE PROJECTION
	10 UNDER	±0.2	DRAWN BY C. ARIZONO	DATE 09/03/19	TITLE NEW 2.0 WIRE TO BOARD CONN. CRIMP RECEPTACLE	
	10 OVER 30 UNDER	±0.25	CHECKED BY T. HARUYAMA	DATE 09/03/19	MOLEX INCORPORATED	
	30 OVER	±0.3	APPROVED BY N. UKITA	DATE 09/03/19	MATERIAL NO. SEE CHART	DOCUMENT NO. SD-50212-001
	ANGULAR ±3 °	DRAFT WHERE APPLICABLE MUST REMAIN WITHIN DIMENSIONS	SIZE A3	THIS DRAWING CONTAINS INFORMATION THAT IS PROPRIETARY TO MOLEX INCORPORATED AND SHOULD NOT BE USED WITHOUT WRITTEN PERMISSION		